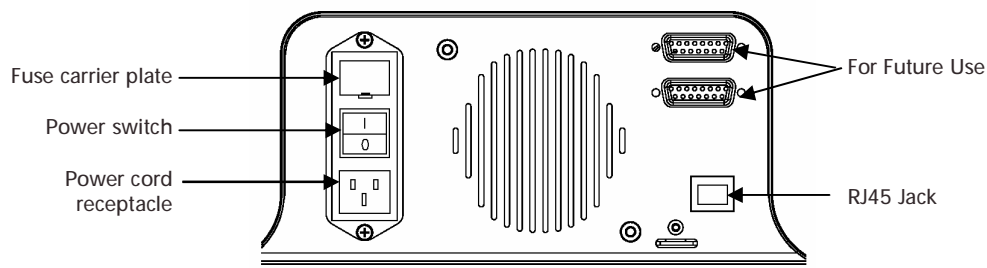


Getting Started with the GERBER EDGE FX™



1. Connect the GERBER EDGE FX

Plug the GERBER EDGE FX into a standard 110V outlet.



GERBER EDGE FX back panel

2. Network the GERBER EDGE FX

The GERBER EDGE FX is a network device which has a 10/100 Mbps auto-switch network interface that can communicate with your computer's 10/100 Mbps network card. (A network interface board is in most new computers or is readily available for your computer at local computer stores.) Data needs to be supplied above a minimum rate to prevent printing anomalies. An EDGE FX connected directly to a computer via a crossover cable should function properly using a 10 Mbps (only) interface. When connected to a larger network, you will obtain more reliable communication when communicating via the 100 Mbps interface. The 10 Mbps interface is not recommended for larger network situations.

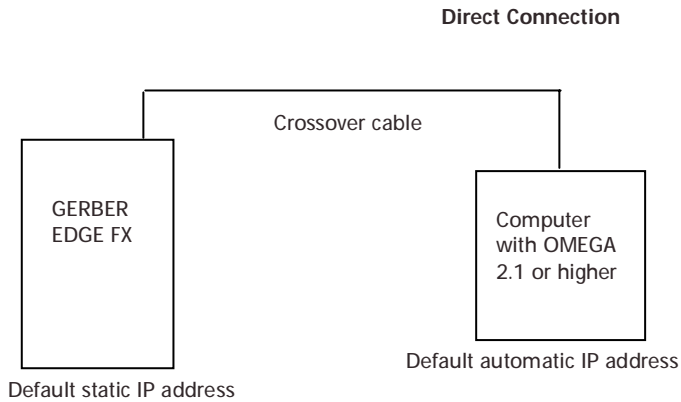
In addition to the GERBER EDGE FX computer requirements required for network connectivity, Gerber OMEGA™ 2.1 (or higher) software has additional system requirements regarding computer speed, memory, hard disk space, etc. Please refer to the OMEGA 2.1 software literature for current specifications.

The following illustrations depict three ways to connect the GERBER EDGE FX to your computer:

- ◆ Direct connection to the computer with a crossover cable using static addresses
- ◆ Network connection to a network hub or switch using static addresses
- ◆ Network connection to a network router equipped with DHCP

Direct connection to the computer with a crossover cable

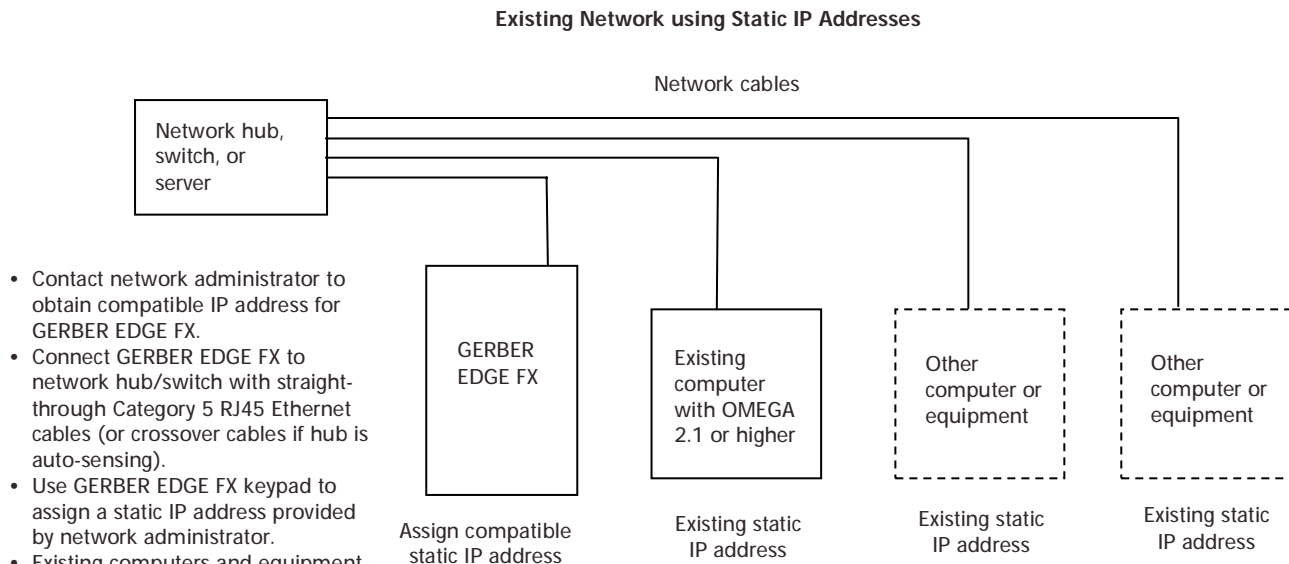
When the GERBER EDGE FX ships its default network setting is a static network address designed for direct connection to a computer using a crossover cable. See the following illustration. See “Using direct connection” in the *GERBER EDGE FX Owner's Guide* for more detailed instructions.



- Connect computer and GERBER EDGE FX with crossover cable.
- GERBER EDGE FX uses default static network address (no need to change settings.)
- Computer uses default Automatic Private IP Addressing (no need to assign network addresses).
- Install OMEGA 2.1 or higher.
- Install GERBER EDGE FX in OMEGA using the Browse button in GSPTray.
- TIP: Assign static address to computer if boot times are excessive.

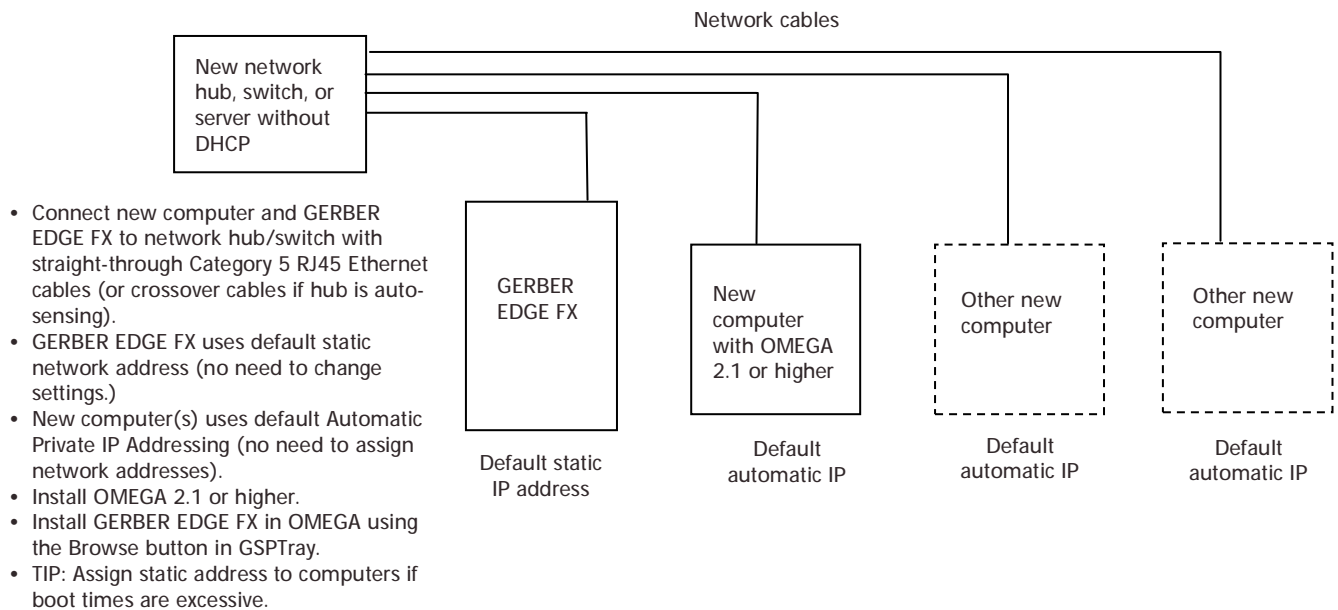
Network connection to a network hub or switch using static addresses

Some locations may connect the EDGE FX to a new or existing network that uses static network addresses. Two typical scenarios are shown in the following illustrations: a new network or an existing network. See “Using network connection with static addresses” in the *GERBER EDGE FX Owner's Guide* for more detailed instructions.



- Contact network administrator to obtain compatible IP address for GERBER EDGE FX.
- Connect GERBER EDGE FX to network hub/switch with straight-through Category 5 RJ45 Ethernet cables (or crossover cables if hub is auto-sensing).
- Use GERBER EDGE FX keypad to assign a static IP address provided by network administrator.
- Existing computers and equipment retain static addresses (no need to change).
- Install OMEGA 2.1 or higher.
- Install GERBER EDGE FX in OMEGA using the Browse button in GSPTray.

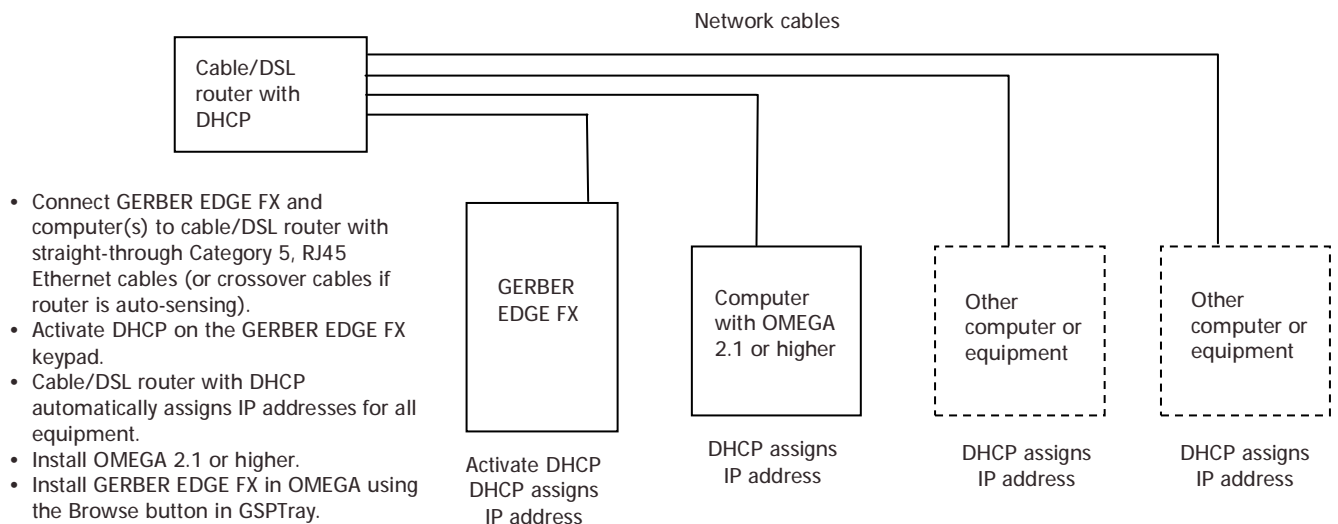
New Network Connection using Static IP Addresses

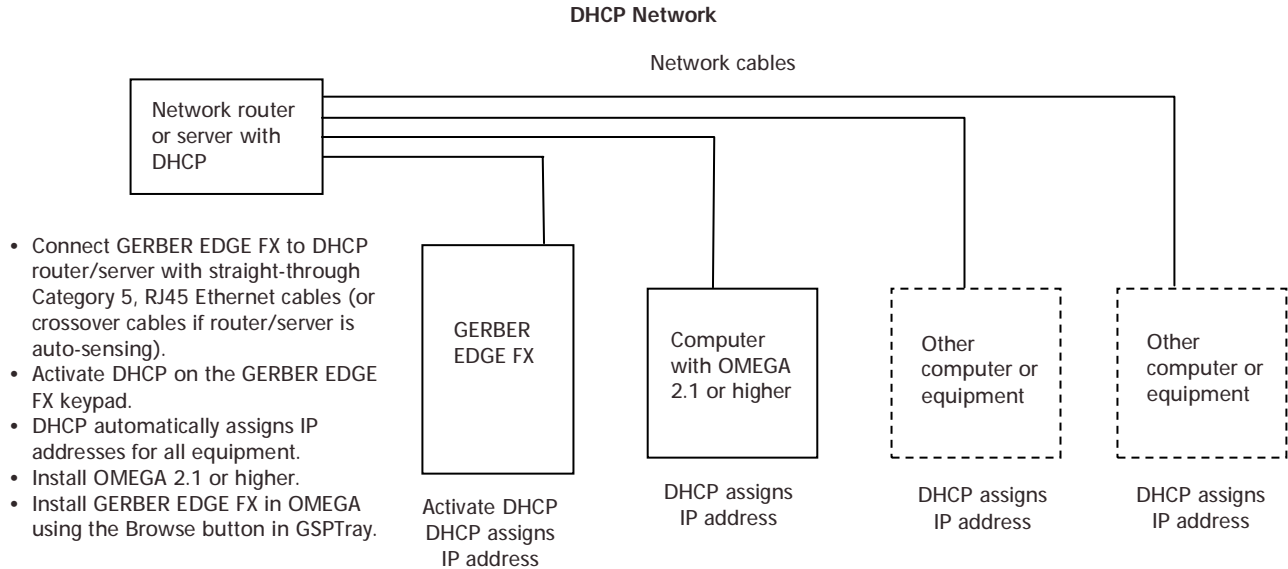


Network connection to a network router equipped with DHCP

Some locations may activate DHCP (dynamic host configuration protocol) on the GERBER EDGE FX and allowing a network equipped with a DHCP server to automatically assign addresses. Two typical scenarios are shown in the following illustrations: a new network with DHCP cable/DSL router or an existing DHCP network. See “Using DHCP to assign network addresses” in the *GERBER EDGE FX Owner’s Guide* for more detailed instructions.

New Network with a DHCP Cable/DSL Router





3. Install Gerber OMEGA™ 2.1 or higher software

The GERBER EDGE FX is compatible with Gerber OMEGA 2.1 or higher software. Install the software according to the documentation included with the installation disk.

4. Install the GERBER EDGE FX in OMEGA software

The GERBER EDGE FX printer is compatible with OMEGA 2.1 or higher. Install the GERBER EDGE FX using the the Add or Delete Gerber Vinyl Printer dialog box in GSPTray.

➡ To install the GERBER EDGE FX using GSPTray 

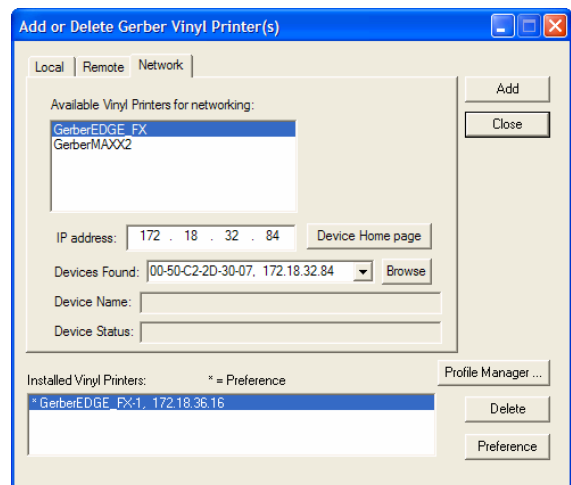
- 1 Right-click the GSPTray icon to open the GSPTray menu.
- 2 Click Install Vinyl Printer to open the Add or Delete Gerber Vinyl Printer(s) dialog box.
- 3 Click the Network tab.
- 4 If the GERBER EDGE FX is visible on the network it is shown in the Devices Found drop down list. Choose the printer to install from the list.

OR

Click the Browse button to navigate to the printer location.

OR

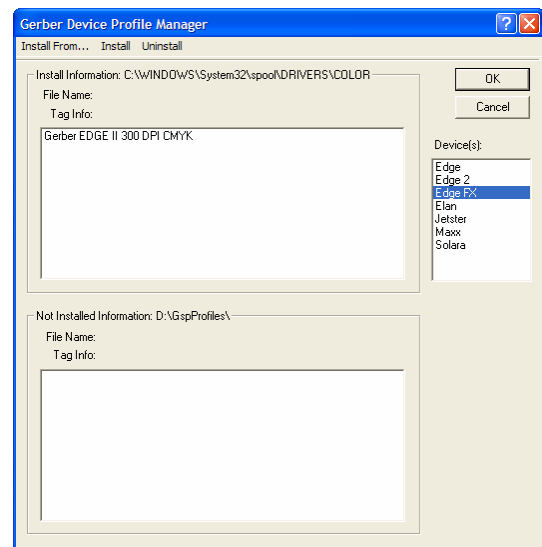
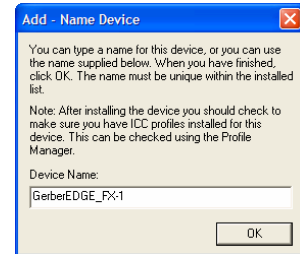
Type the IP number of your GERBER EDGE FX in the IP Address box. Refer to your network administrator and “Connecting the GERBER EDGE FX to your computer” for information on obtaining this address.





Tip: When the GERBER EDGE FX is located on the network it displays in the Devices Found box. The first 12-digit number is the printer's MAC address (00-30-2D-C2-50-00 in the above example), followed by the IP address (169.254.128.129 in the above example). The MAC address is unique to that printer and cannot be changed.

- 5 Click Add and the Add – Name Device dialog box displays. Accept the default name or enter a unique name.
- 6 Click OK to return to the Network tab. The name of the newly installed GERBER EDGE FX printer appears in the Installed Vinyl Printer(s) section of the Add or Delete Vinyl printer(s) dialog box.
- 7 To install or modify which profiles display in OMEGA, click the Profile Manager button to open the Gerber Device Profile Manager dialog box. Select the devices from the list to display the associated profiles (EDGE, EDGE 2, EDGE FX, Elan, Jetster, or MAXX, or Solara). Deselect the devices to hide the profiles that are unnecessary. You can also use the Profile Manager to uninstall and reinstall profiles. For complete help on this topic, press F1 while in the Device Manager dialog box.
- 8 Click OK to return to the Add or Delete Gerber Vinyl Printer(s) dialog box.
- 9 Click the Device Home page button if you wish to open the web interface of the GERBER EDGE FX. Once open, you may wish to make a shortcut on your desktop for easy access.
- 10 Click Close.



4. Print a job on the GERBER EDGE FX

The printing process on the GERBER EDGE FX involves these steps:

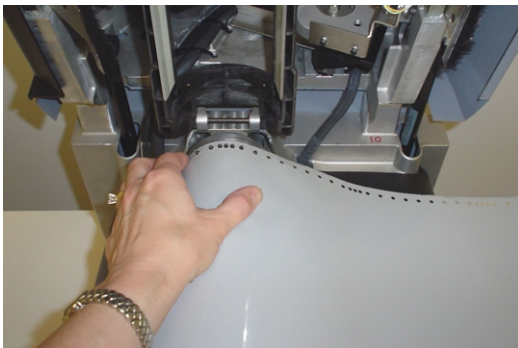
- ◆ Send a job to the printer from OMEGA or other compatible design software.
- ◆ Choose the operating Mode: Single or Continuous.
- ◆ Press ONLINE to start the printing process.
- ◆ Homing the printer. (optional)
- ◆ Load the requested material (material can also be loaded prior to sending the job).
- ◆ Insert the first foil as requested.
- ◆ Insert subsequent foils as requested.



Tip: Gerber recommends cleaning the print head, platen, foil squeegee, and bail arm squeegees before beginning each job

➔ To print a job

- 1 Send the job from OMEGA 2.1 (or higher) software to the GERBER EDGE FX.
- 2 From MAIN MENU press F2 to toggle between the Single or Continuous Mode.
- 3 Press F1 to toggle to ONLINE. The MATERIAL MENU displays indicating the requested material.
- 4 Home the printer to start the job at a known position. Press F4, MOTION to open the MOTION MENU. Press F4, HOME and then F3, CANCEL to return to the MATERIAL MENU.
- 5 Load the material and press F1, OK.



MAIN MENU			
F1	OFFLINE	CANCEL	F3
F2	Mode: Single	SYSTEM	F4

MATERIAL			
F1	OK	CANCEL	F3
F2	SUBSTITUTE	MOTION	F4
Need: White 225 Premium Film			

MOTION MENU			
F1	FOIL	CANCEL	F3
F2		HOME	F4

FOIL MENU			
F1	OK	CANCEL	F3
F2	SUBSTITUTE	NEXT	F4
Need: Process Pro – Magenta			



- 6 The FOIL MENU indicates the foil to load. Load the foil cartridge and press F1, OK to confirm when in Single mode. Printing begins automatically in Continuous mode.
- 7 After printing the first color, the GERBER EDGE FX rewinds the material and prompts for the next foil. Change the foil cartridge and press F1, OK when in Single mode. Printing begins automatically in Continuous mode.
- 8 When the job is complete, slew the material out of the printer using the slew keys.