

Cut clean, straight, accurate and debris-free!

The FSC is an affordable finishing solution designed for virtually any sign making or graphic development business working in a pre- or post-print process. Cut clean, straight, accurate and debris-free materials such as:

- | | |
|------------------------|-----------------------------|
| ■ Dibond® (4mm) | ■ Corrugated Plastic (13mm) |
| ■ Aluminum (.063") | ■ Alupalite™ (1/4") |
| ■ PVC (13mm) | ■ Econolite™ (1/4") |
| ■ Acrylic (1/4") | ■ Gatorboard (1/2") |
| ■ Polycarbonate (1/4") | ■ Foamboard (1/2") |
| ■ Polystyrene (1/4") | ■ Glass (1/4") |

The FSC will surprise you with its ability to provide quick and accurate cutting of a wide variety of your most common substrates. Robust and engineered for durability, the FSC will provide years of flawless cutting performance in your shop.

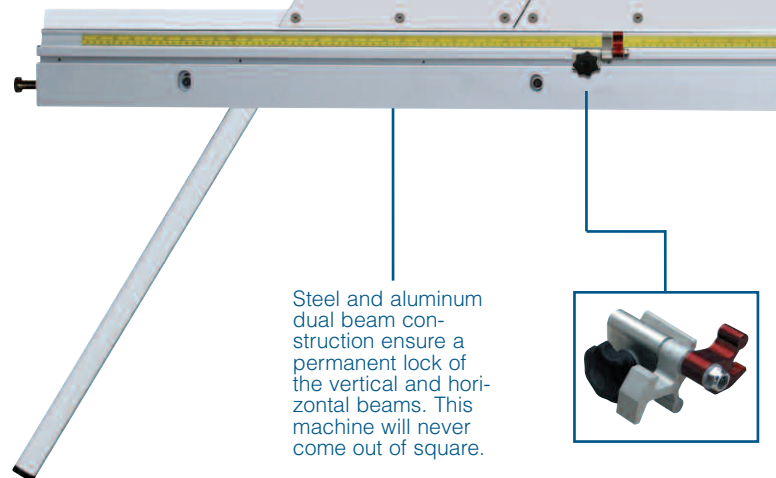
Our unique cutting process provides **virtually no debris** allowing the FSC to be situated in the same shop area as your printer.



Cut up to 4mm Dibond in one pass with ease, leaving clean, finished edges every time.

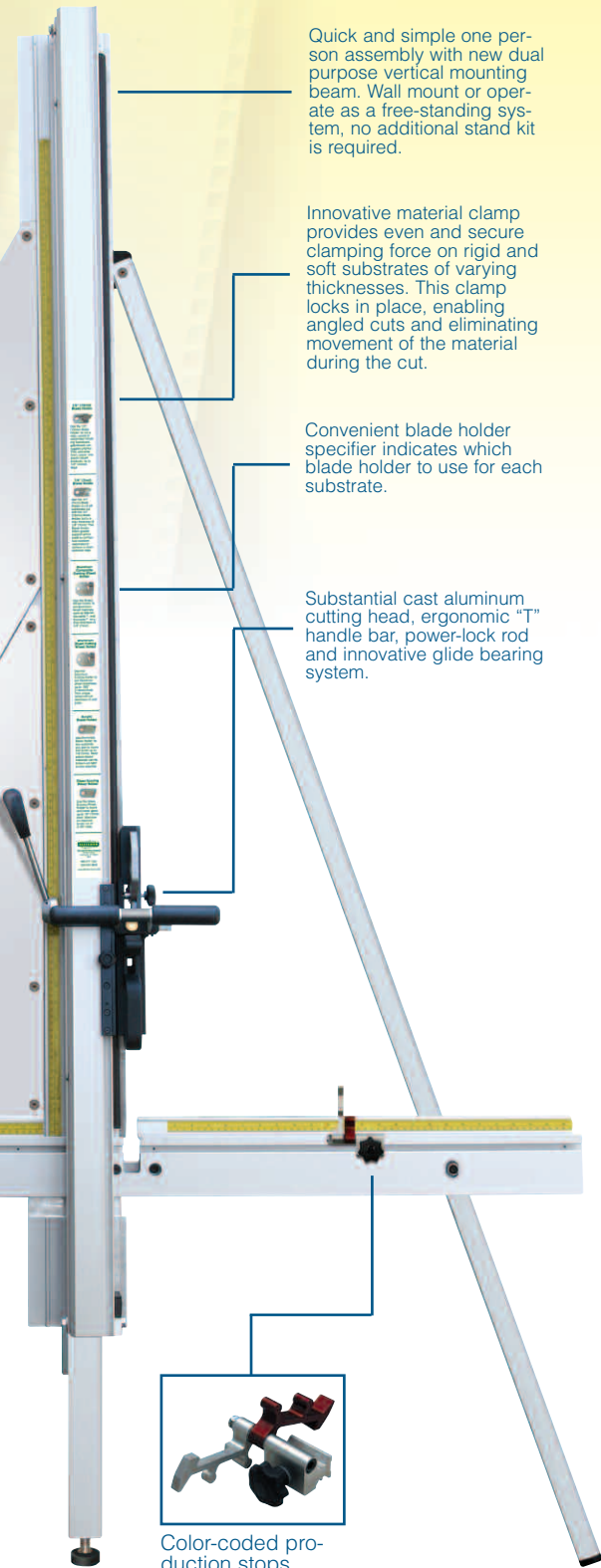
FSC PURCHASE PACKAGE INCLUDES:

- FSC Unit (wall or free-standing setup)
- (3) Cutting Tools
 - 1/2" Blade Holder
 - Aluminum Composite Cutting Wheel Holder
 - Acrylic Blade Holder
- (1) Tube of 10 FSC Blades
- (1) Set of Aluminum Composite Cutting Wheels
- (1) Sight-line Laser with Bracket
- (2) Material Production Stops
- (1) Tool Caddy



Steel and aluminum dual beam construction ensure a permanent lock of the vertical and horizontal beams. This machine will never come out of square.



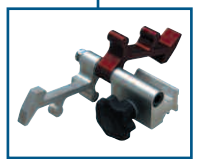


Quick and simple one person assembly with new dual purpose vertical mounting beam. Wall mount or operate as a free-standing system, no additional stand kit is required.

Innovative material clamp provides even and secure clamping force on rigid and soft substrates of varying thicknesses. This clamp locks in place, enabling angled cuts and eliminating movement of the material during the cut.

Convenient blade holder specifier indicates which blade holder to use for each substrate.

Substantial cast aluminum cutting head, ergonomic "T" handle bar, power-lock rod and innovative glide bearing system.



Color-coded production stops make repetitive cuts for production runs quick and accurate.



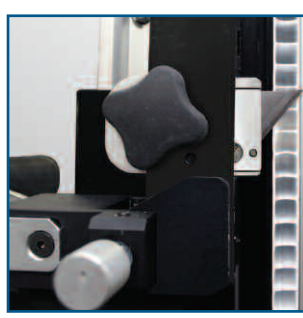
Unique clamp design makes on machine break-out (run of score) possible for acrylic and polycarbonate materials, as well as glass.



Laser guide provides a perfectly clear sight-line for the cut on all substrates, eliminating guesswork and costly errors in a pre- or post-printing process.

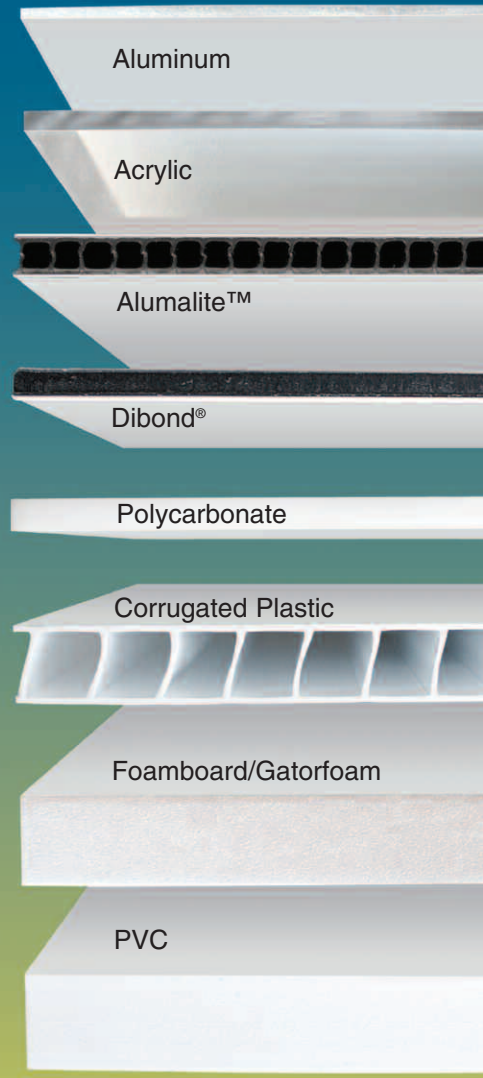


Five-second blade change... Switch to any substrate quickly with our blade holder system.



Fletcher-designed Extended-Life blade provides hundreds of cuts in a wide variety of materials with flawless performance.

Cut clean, straight, accurate and debris-free.



SPECIFICATIONS

	<u>Mount/Stand</u>	<u>Wall</u>
Height	93" (2.36M)	95" (2.41M)
Width	80" (2.03M)	80" (2.03M)
Depth	43" (1.09M)	17" (0.43M)
Weight	115 lb. (52kg)	
Cut Capacity	65" (1.65M)	
Two (2) year warranty		

the line of cut and trim finishing solutions for all things graphic!



Time-Tested Cutting Technologies

These are the cutting tools that provide the FSC with nearly unlimited scalability.

CUTTING TOOLS INCLUDED WITH PURCHASE PACKAGE



1/2" / 13mm Blade Holder

Foamboard, gatorboard, corrugated plastics, PVC and other foam, paper, and plastic based products, up to 1/2" (13mm) thick



Aluminum Composite Cutting Wheel Holder

Aluminum faced materials such as DiBond® and Alupalite™ to a max thickness of 1/4" (7mm)



Acrylic Blade Holder

Any material you plan to score and break

OPTIONAL CUTTING TOOLS SOLD SEPARATELY



1/4" / 7mm Blade Holder

Offers greater blade support in 1/4" (7mm) thick materials



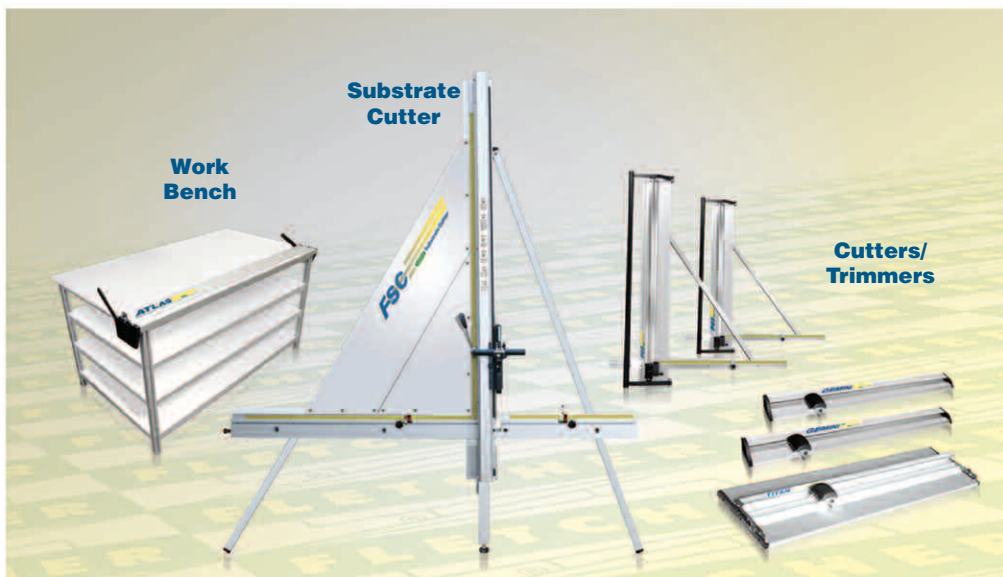
Aluminum Cutting Wheel Holder

Aluminum sheet materials up to .063" (1.6mm) thick



Glass Scoring Wheel Holder

Score and break glass up to 1/4" (7mm) thick



The Fletcher-Terry Company

65 Spring Lane, Farmington, CT 06032-3311 U.S.A. • 800.843.3826 • 860.677.7331 • Fax 860.676.8858

www.fletcher-terry.com • customerservice@fletcher-terry.com